

ALUDOORS®

Doors & Systems

ET GROUP

SWING DOORS NEW MODEL

From ALUDOORS brand



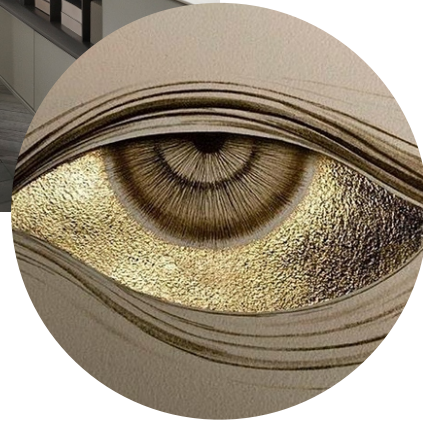
Modern people choice

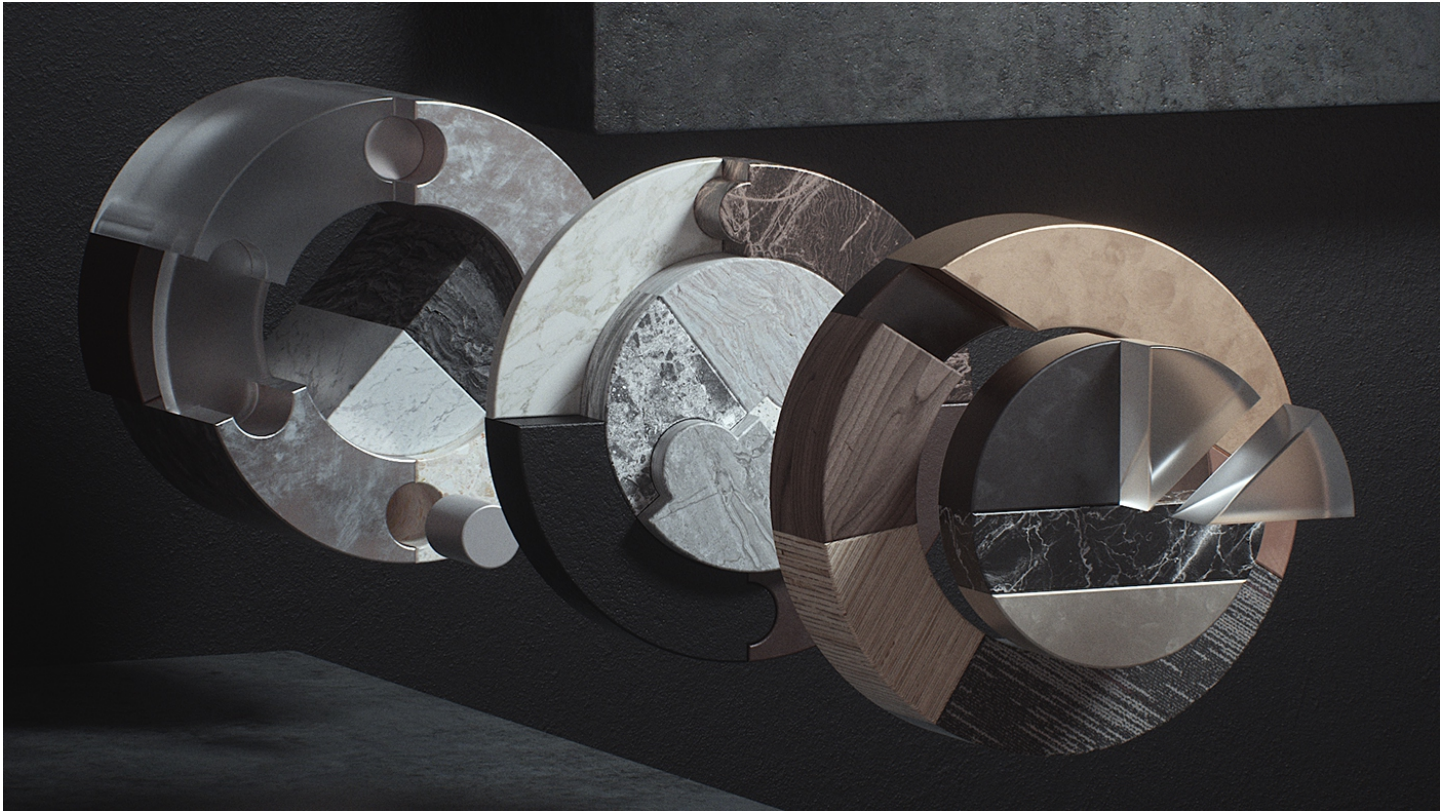


NEW
NEW
NEW

LÚNA

Coplanar swing doors Lúna is the absolute novelty of the AluDoors brand, which successfully combines anodised aluminium and glass in a single composition. Outside door casing with the glass insert has now become an integral part of the door frame, whereby the door design offers more reliability. Lúna Doors allow to apply new brave solutions to the interior design.





Wide range of DECORATION

A wide processing range allows to use glossy or frosted glass with the coating according to RAL and NCS, covering an entire spectrum of the

designersolutions. Natural veneers or the stone texture HPL panels can be also applied for the decoration purposes.

Aesthetic POSSIBILITIES

Lúna model allows to use the door casing on the both sides as well as on one. If the design does not provide for

the installation of the casing, it would be possible to install it on one side of the door opening only.





RELIABLE design

Luna door frame design combines a casing and a frame in one aluminium profile. This structure helps to exclude a poor quality of the installation and door frame jointing as well as it simplifies the process.





BLACK IS BACK

Black colour is always up-to-date. Glossy dark glass with the elegant aluminium edging looks classy and strict at the same time.

LÚNA —



Quality and sophisticated modern design is the main goal of the Ukrainian producer ET GROUP.

We always follow new interior design trends and can offer state-of-the-art products, which will satisfy the demanding taste of the modern person. ALUDOORS LÚNA line will harmoniously complement the interiors in loft, contemporary, high-tech, techno as well as minimalistic styles.

Aluminium and glass are eco-friendly recycled materials, safe for the health and sustainable for the environment.

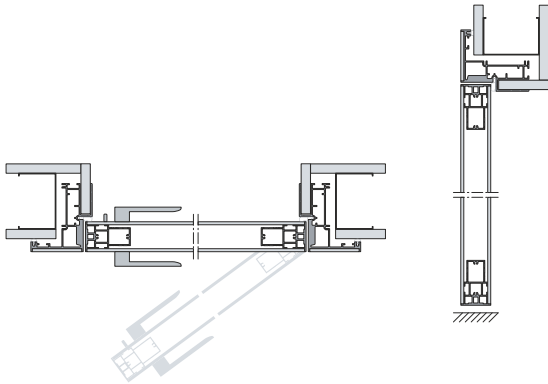
— door leaf INSERT



LÚNA with the laconic component Insert is a good decision for the designs aiming to highlight the doors as the part of the interior and tailor them in one stylistic space. The Insert is available in two types - polished stainless steel or painted metal.

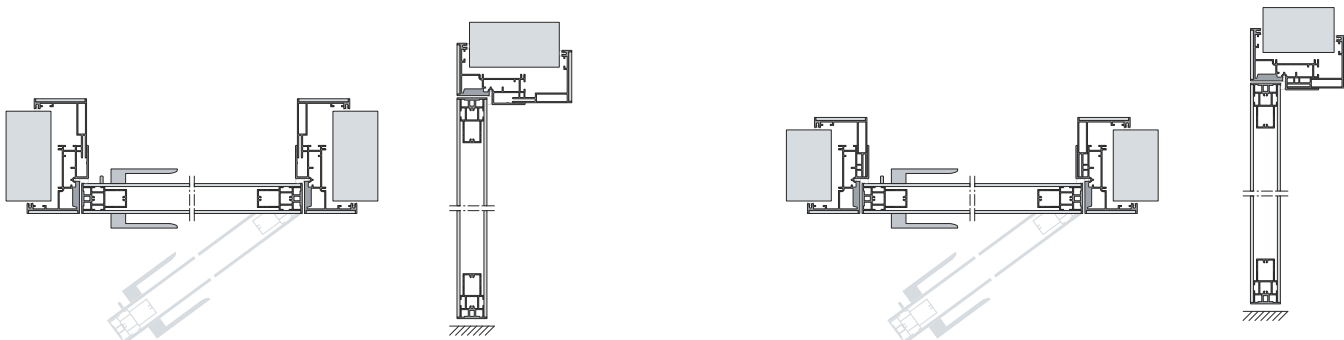
VARIANT 1

Casing on one (outside) side.
Min. wall thickness 100mm



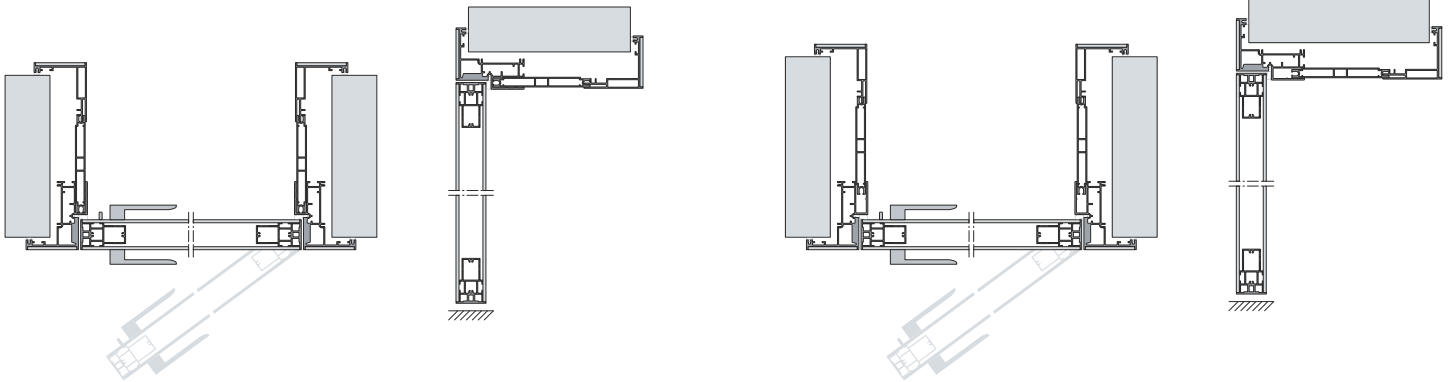
VARIANT 2

Casing on both sides.
Wall thickness min. 95 mm - max. 135 mm



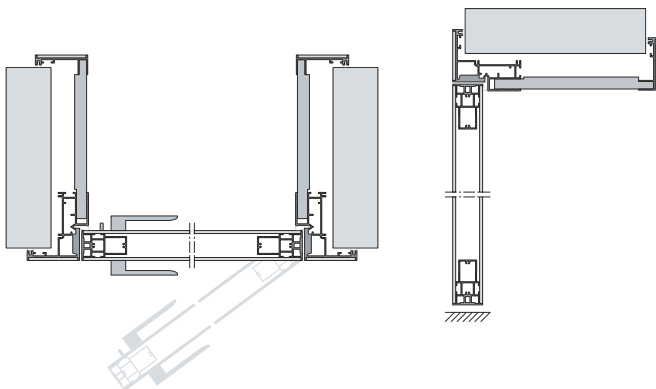
VARIANT 3

Casing on both sides.
Wall thickness from 135 mm
Aluminium jamb extension

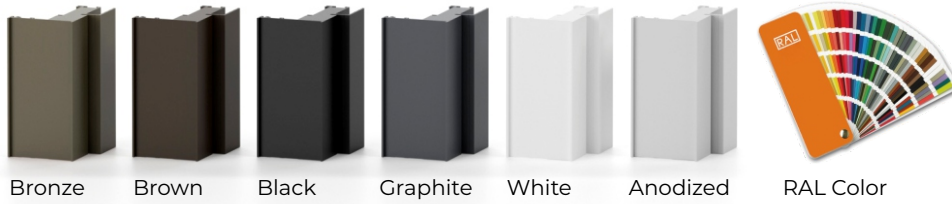


VARIANT 4

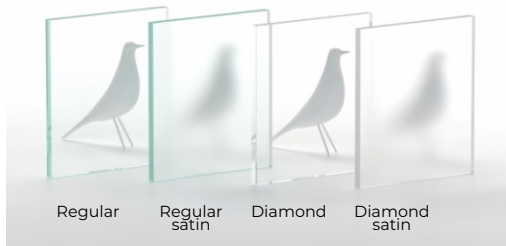
Casing on both sides.
Wall thickness from 135 mm
MDF jamb extension



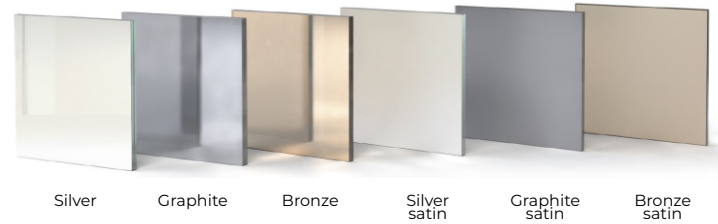
PROFILE PAINTING



GLASS TYPES



MIRROR



MDF PAINTING



MODIFIED VENEER



HPL PANELS



NATURAL VENEER



ALUDOORS®
Doors & Systems

ET GROUP®