



SecretDoors®
by ET Group

ET GROUP®

FIREPROOF

CONCEALED
DOORS

new



Ei30 Ei60

FIREPROOF

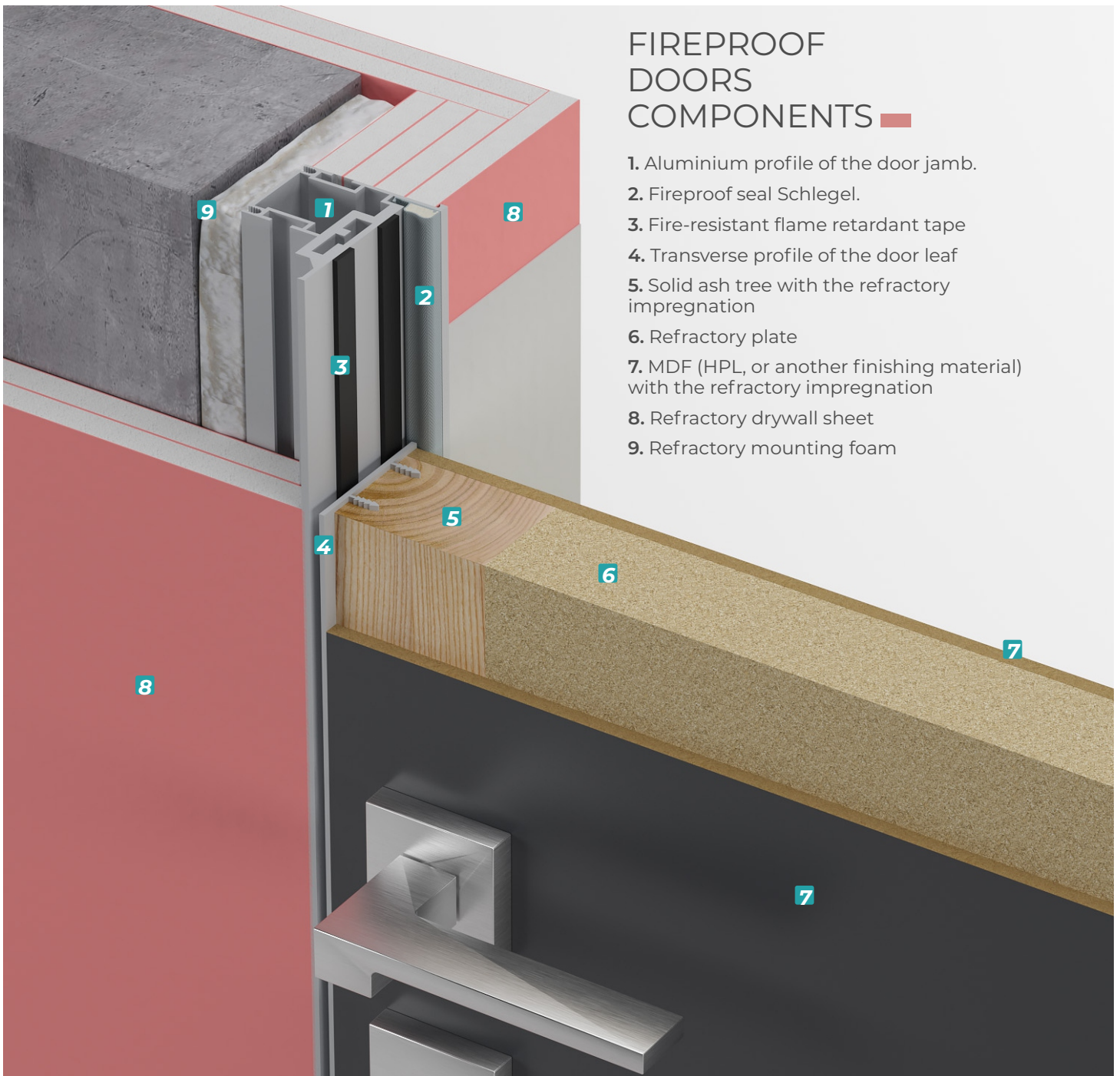
DOORS

for hotels, shopping
and office centers,
administrative
buildings



For the public premises,
administrative buildings,
shopping or office centers,
where the fire safety rules are
to be fulfilled, the **SecretDoors**
company has developed the
fireproof concealed doors
EI30 / Ei60.

FIREPROOF DOORS COMPONENTS



1. Aluminium profile of the door jamb.
2. Fireproof seal Schlegel.
3. Fire-resistant flame retardant tape
4. Transverse profile of the door leaf
5. Solid ash tree with the refractory impregnation
6. Refractory plate
7. MDF (HPL, or another finishing material) with the refractory impregnation
8. Refractory drywall sheet
9. Refractory mounting foam

ACCESSORIES COMPONENTS



made in France



Refractory concealed hinges
Certificate EI2 30 EN 1634-1



made in Netherlands



Refractory lock



made in Switzerland



Drop seal
Fireproof certificate



Automatic closer
from stainless steel



Door straightener

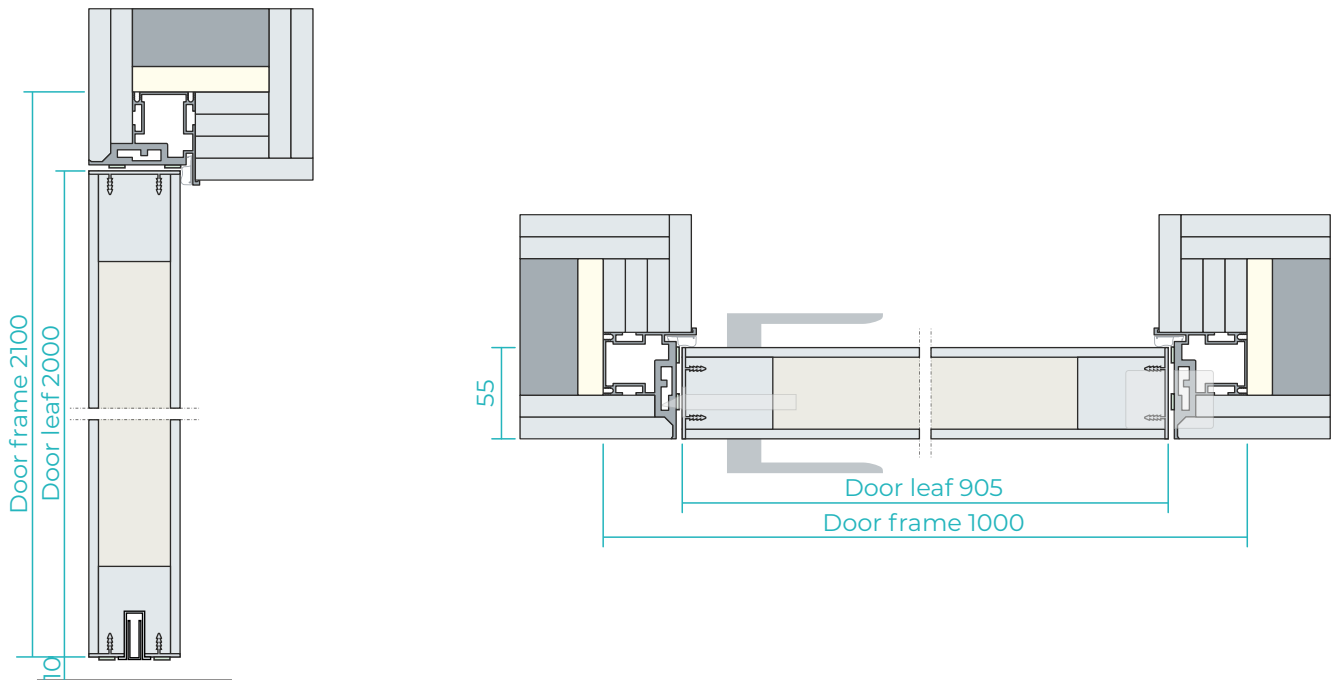


Door handles
Customized selection



Our doors meet all the necessary safety standards required for installation in the hotels, enterprises, schools and other public buildings. The latest generations of refractory impregnations, primers and paints are completely ecological and suitable even for the residential premises. In the fire-resistant SecretDoors we use complex means of protection against ignition and the spread of flame. Concealed fireproof doors comply not only with safety standards, but also with the modern design trends.

MOUNTING SCHEME of the fireproof doors



ET GROUP®



Contacts:

info@et-group.com.ua

+38 (068) 162 0 777

+38 (099) 162 0 777

etgroup.ua